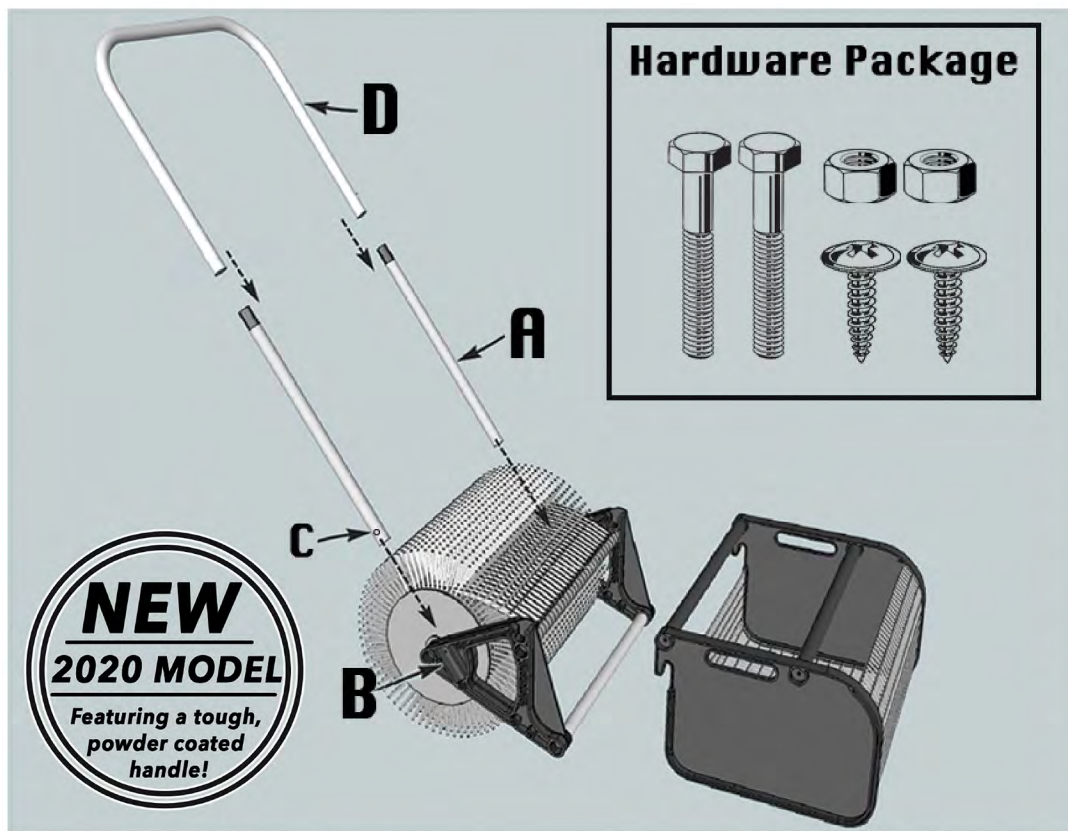


# mini, 18", 12", 36" Push Assembly Instructions

10601 Theresa Drive Jacksonville, FL 32246 904-641-3934



**2. Push the large HEX bolt through the front of the handle. Tighten with the lock nut (Fig 1).**

**3. Screw the handle into the triangle side bracket (C) with the small screws.**

